



**ARIET**

**T1K BASIC  
T2K BASIC  
T3K BASIC**

## Single-phase online UPS

Floor type

Online double conversion



Office and server  
equipment



Financial  
systems



Medical facilities  
and laboratories



Data center



Telecommunications  
systems

**Single-phase online UPS** is designed to protect sensitive equipment from power outages, voltage sags and surges, interference and harmonic distortion of the network.

The model's key advantage is its online double-conversion topology and pure sine wave output, ensuring a stable and high-quality power supply.

The UPS has a power rating of 1–3 kVA, high efficiency of up to 91%, a power factor of 0.9, and a wide input voltage range of 110–300 V.



## SCENARIOS

Protecting workstations and servers from power outages.

Power supply for critical systems: laboratory and diagnostic equipment

Protecting switches, routers, and data transmission equipment

## BENEFITS

<p><b>True online double-conversion technology</b> ensures that connected devices always receive clean, stable power, protecting them from voltage surges and fluctuations.</p>	<p><b>An intelligent RS232/USB port</b> with monitoring software allows for easy remote monitoring and control of the UPS, providing real-time status tracking.</p>
<p><b>An output power factor of 0.9</b> provides up to <b>12.5%</b> more power than the traditional 0.8 pf.</p>	<p><b>An optional battery expansion module</b> increases battery life. The model supports <b>ECO mode</b> and <b>battery-less</b> operation.</p>
<p><b>Wide input voltage range</b> — the device automatically adapts to unstable and unstable power grids.</p>	<p><b>Compact size</b>, takes up little installation space, programmable LCD display for quick setting of UPS parameters.</p>
<p><b>User-friendly interface</b> — simple controls and easy operation.</p>	<p><b>Intelligent battery management</b> — optimizes charge/discharge modes and extends battery life.</p>

# Layout diagram

① RS232

② USB

③ EPO

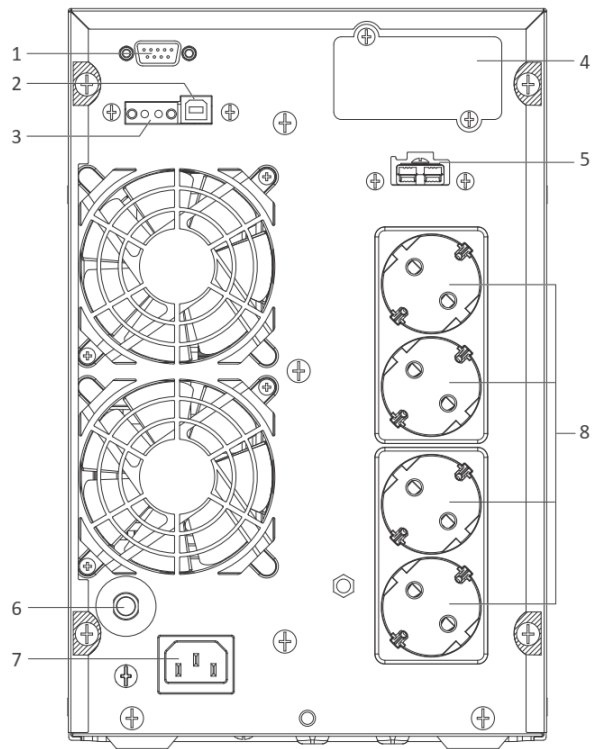
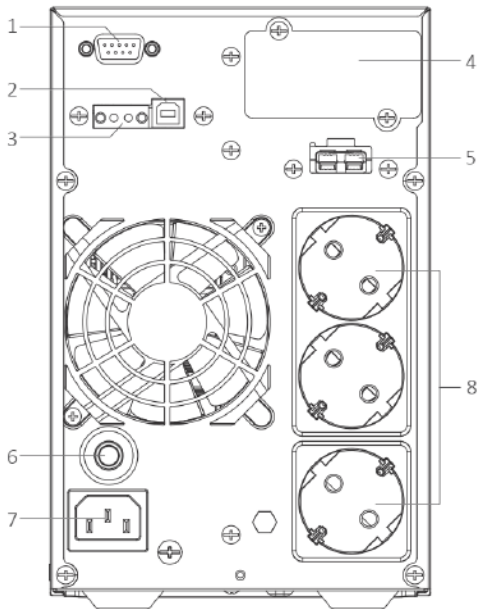
④ Smart slot

⑤ External Battery

⑥ Input circuit breaker

⑦ Power input jack

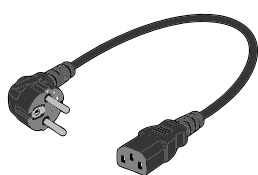
⑧ Output socket



## T1K BASIC



Eu sockets -  
3 pcs.

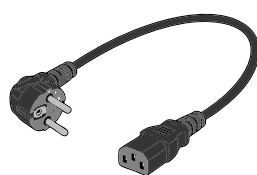


Cable with a Eu plug

## T2K BASIC

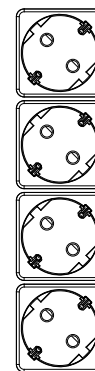


Eu sockets -  
4 pcs.

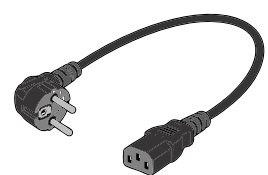


Cable with a Eu plug

## T3K BASIC



Eu sockets -  
4 pcs.



Cable with a Eu plug

# Technical specifications

MODEL	T1K BASIC	T2K BASIC	T3K BASIC
<b>Capacity</b>	1 kVA/900 W	2 kVA/1800 W	3 kVA/2700 W
<b>Input</b>			
Rated Voltage	110/115/120/125VAC,Default 120VAC		
Input Voltage Range	55~145VAC		
Frequency Range	40Hz-70Hz		
Input Wiring	Single Phase with Ground		
<b>Output</b>			
Output Power Factor	0,9		
Nominal Output Voltage	110/115/120/125VAC,Default 120VAC		
Voltage Regulation	±1%		
Frequency Range (Battery Mode )	50/60Hz ±0.05Hz		
Over Load	100%~105% continuous. 60Sec.@105%~130% Rated Load		
Voltage Distortion (THDv)	<2% @ linear load		
Output Waveform	Pure Sine Wave		
<b>Efficiency</b>			
Inverter Mode	88%	89%	90%
<b>Battery</b>			
Battery Type	VRLA	VRLA	VRLA
Battery	12V / 7Ah	12V / 9Ah	12V / 9Ah
Number of Internal Battery	2	4	6
Rated Battery Voltage	24VDC	48VDC	72VDC
Charging Current	1A	1A	1A
Recharging time (90%)	5 hours	5 hours	5 hours
<b>Transfer Time</b>			
Battery Mode <-> Inverter Mode	0 ms		
Inverter Mode <-> Bypass Mode	<4 ms		
ECO Mode <-> Battery Mode	<10 ms		
<b>Display</b>	Segment LCD		
<b>Audible Alarm</b>	Yes		
<b>Interface</b>			
Connector	RS232/USB		
External Slot	Yes, for optional NMC Card/CMC Modbus Card/AS400 Card		
Emergency Power Of	Yes		
<b>Environment</b>			
Operating Temperature	0~40°C		
Regulation	cTUVus, FCC		
Noise	<55dB (front 1m distance, without buzzer)		
<b>Physical</b>			
Dimensions (W*D*H)mm	144×224×325	190×323×368	190×323×368
Weight, kg	16.1	20.3	24.5